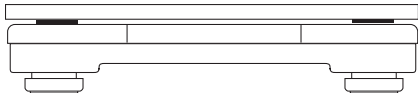
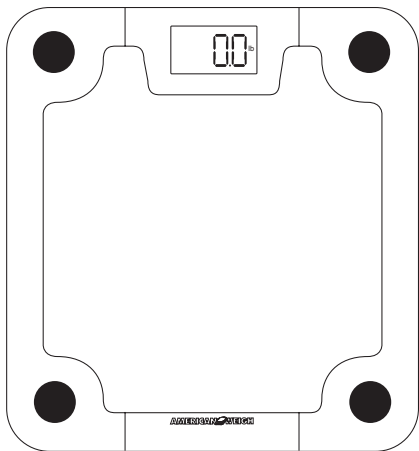


# AMERICAN WEIGH

AMW-440T Talking Bathroom Scale

440lb x 0.1lb



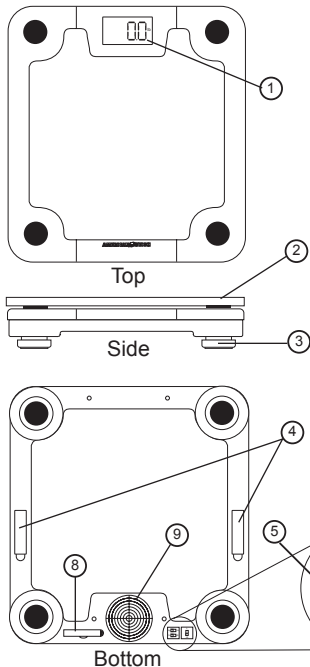
USER'S MANUAL

**American Weigh**  
**AMW-440T User's Manual**  
**440lb x 0.1lb**

Thank you for purchasing the AMW-440T Talking Bathroom Scale. With normal care and proper treatment, it will provide you with years of reliable service. Please read all operating instructions carefully before using the scale.

- Avoid any exposure to extreme heat or cold. Your scale will work better when operating in normal room temperature. Always allow the scale to acclimate to normal room temperature for at least an hour before use.
- Give the scale sufficient warm up time before use. Usually 30 to 60 seconds to give the internal components time to stabilize.
- Keep your scale in a clean environment. Dust, dirt, moisture, vibration, air currents, or a close proximity to other electronic equipment can cause an adverse effect on the reliability and accuracy of your scale.
- Handle with care. Gently apply all items to be weighed onto the weighing surface. Although this scale is designed to be quite durable, avoid rough treatment as this may permanently damage the internal sensor.
- Do not shake, drop, or otherwise shock the scale. This is a precision instrument and must be handled with extreme care.
- Only operate the scale on a stable, vibration free surface.
- Always store in a dry place to avoid moisture accumulation on internal components.

## Parts Description



1. LCD Display
2. Tempered Glass
3. Scale Feet
4. AA Battery Compartments
5. English / Chinese Selector
6. Kg / Lb Selector
7. Lock / Unlock Mode Selector
8. CR2032 Battery Compartment
9. Speaker

### **I. Setup**

Remove the main unit from the package. Insert two AA batteries (4 included) into each AA battery compartment (see above). Lay the scale down onto a flat and stable surface. Scale is now ready for use. See next page for Operating Instructions.

## **I. Mode Selection** (See prev. page for switch locations)

1. Turn scale over to set desired modes.
2. Select between kilograms (kg) / or pounds (lb)
3. Select either English (EN) or Chinese (CH) language for speaking feature.
4. Select Unlock Mode (UL) or Lock Mode (L)
  - Lock Mode: Turns talking function ON and keeps the weight value locked on the LCD for a few seconds.
  - Unlock Mode: Turns talking function OFF and displays weight in real-time on the LCD

## **II. Weighing**

1. Tap on the scale once with your foot to turn on.
2. Wait until [0.0] is displayed, (If talking function is enabled the scale will say "OK, please step on the scale").
3. Step onto the scale and wait for readout to stabilize.
4. The weight will be displayed on LCD (If talking function is enabled the scale will speak the wait)

### **Note:**

The primary reason for inaccuracy or malfunction are low batteries, overload or operating on an unstable surface. Please keep this in mind and maintain and operate your scale properly. This scale is a precision instrument and must be handled with care.

## **V. Specifications**

Capacity:	440lb ; 200kg
Graduation:	0.1lb; 0.2kg
Units:	pounds (lb) ; kilograms (kg)
Display:	4 digits 1/2" in height